



EMERGI-LITE

EHP & EHPR SERIES

HIGH-PERFORMANCE INDUSTRIAL EMERGENCY LED LIGHTING

BENEFITS of using EHP & EHPR



Stands up to harsh environments with standard NEMA-4X housing and cold weather (-40°C/-40°F) option.

In areas where liquid or windblown dust are a concern, the standard NEMA-4X housing offers industrial grade protection in applications such as hose-down areas. The cold weather option (CW) is ideal for cold storage facilities and other freezing environments. All outside hardware is stainless steel for maximum durability.

Mounts easily on walls, poles, columns, struts, and in a vertical position.

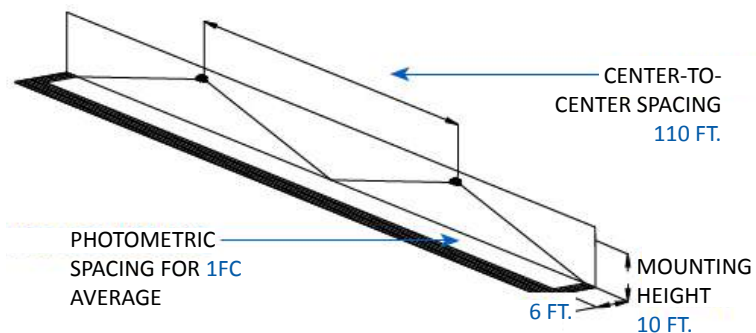
A separate mounting bracket allows easy installation on poles or columns. All units may be wired from the top or side.

Illuminates wide, open areas such as warehouses, manufacturing facilities and industrial corridors

Up to 10 ft mounting height with 110 ft center-to-center spacing. The EHP Series is designed for industrial applications with high ceilings, open spaces, and low reflectance. Dual LED lighting heads provide an average of 1fc; Min: 0.1fc along a 6-ft wide illumination path as per NBC. At a mounting height of 10 ft, the EHP Series provides 140 ft center-to-center spacing. At 25 ft high, the EHP Series provides an impressive 120 ft center-to-center spacing.

Reduces battery testing so that maintenance personnel can focus on revenue-generating machinery

High-efficiency LEDs out-perform halogen lamps and use battery units or fewer battery units and more remotes. A 15W LED provides 1300 lumens, outperforming a 50W MR-16IR halogen. Such a high lumen output with low energy requirements means that less power is needed when using LEDs. One 150W battery unit (EHP24150 model) can power four remote units with 15W dual-head LEDs, giving an excellent remote to battery unit ratio. Fewer battery units makes installation easier and reduces ongoing testing maintenance requirements for a lower total cost of ownership. All battery units have autodiagnosics optional and an infrared remote test control. The universal remote test control allows each battery unit to be tested from up to 30 ft away without climbing a ladder for faster, easier compliance with required testing. Longlasting LEDs can outlive a building without ever needing replacing.





EHP FEATURES



SAVE ON MAINTENANCE COSTS WITH THE HELP OF THE INFARED REMOTE TEST CONTROL

- Standard infrared remote test control included in all models: allows to test the equipment without the need to climb a ladder. Functional up to a distance of 30 ft. Universal, one Remote Test Control may test all units on the job.
- Fiberglass grey housing with captive screws. It is designed for heavyduty industrial applications: indoors, outdoors, hose-down areas, cold-storage facilities etc
- NEMA-4X protection grade against liquids and windblown dust
- High ambient temperature up to 50°C [122°F] and optional coldweather -40°C to 50°C (-40°F to 122°F)
- High temperature Lead-Calcium Battery
- High-efficacy LED emergency heads outperform traditional 50W halogen lamps
- Innovative head design: four-LED and dual-driver provide illumination even in case of unexpected component failure
- Product features stainless steel exterior hardware
- Simple and easy to install on walls, poles, columns or struts. For vertical installation on poles or columns use mounting bracket catalogue number: PMK1-E (sold seperately)
- May be wired from top or side (see drawing for position)
- Optional Audible and Non-Audible Auto-Diagnostic and Auto-Test
- Optional NEXUS® central monitoring system
- Meets or exceeds CSA C22.2 No. 141-15
- 5 Year limited warranty

Click [here](#) to see full warranty details.

Enclosures

- Compression-molded fiberglass construction and shall be equipped with a hinged, overlapping cover.
- Includes a 3/16" wide rubber gasket and shall fasten with two stainless-steel captive screws.
- Lateral flanges with holes for easy installation on the wall and also include two water-tight plugs of size 1/2" NPT for vertical and horizontal conduit and wire access.

Lighting Heads

- Installed at the bottom of the cabinet and have the electrical cable passing through the swivel via water-tight bushings.
- Made of Die-Cast aluminum and have a flat square lens made of UV-stabilized clear polycarbonate.
- Lenses sealed with a rubber gasket and be fixed with an aluminum frame and 6 (six) tamper-proof screws.
- Include four (4) LEDS and two independent LED drivers with electrical connections allowing for lighting even in case of unexpected component failure.
- Input voltage range of 12 – 24VDC and a constant power regulation, providing stable illumination during variations of the battery discharge voltage.

The Equipment

- Has dual AC input rated 120/347VAC 60Hz and a charger module equipped with micro-controller and solid-state transfer relay.
- Comes standard with an infrared remote test control.
- Rated NEMA-4X for hose down applications.
- Listed to cUL standards for Damp and Wet Locations.
- Certified to CSA C22.2 No.141-15

EHP SPECIFICATIONS



Charger

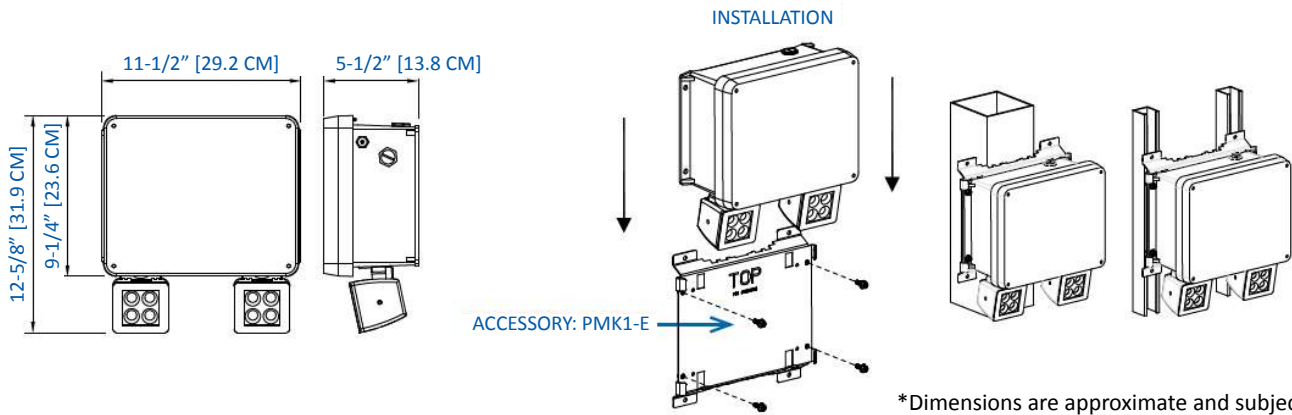
- Perform functions like: AC brownout detection, battery lockout, low voltage battery disconnect, and provide protection against overcurrent, short-circuit, and DC reverse polarity.

Auto-Diagnostic

- Auto-Diagnostic option shall execute automatic tests for one minute every 30 days, 10 minutes every sixth month and 30 minutes every 12 months.
- In case of functional failure detection the equipment pilot light shall change color from green to red and signal a service alarm with specific flashing codes: battery or lamp disconnect, battery failure, charger failure, lamp failure.
- A label installed on the cover shall contain the legend with diagnostic codes



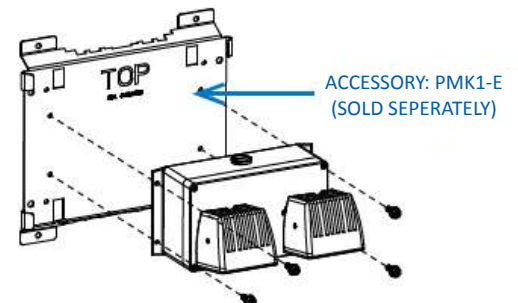
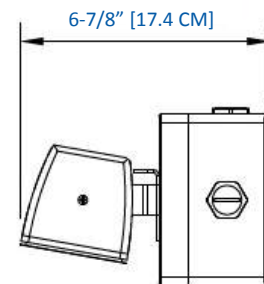
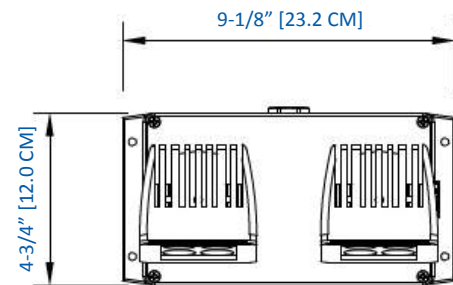
EHP DIMENSIONS



*Dimensions are approximate and subject to change

EHPR FEATURES

- Die-Cast grey housing and heads designed for heavy-duty industrial applications: indoors, outdoors, hose-down areas, cold-storage facilities etc
 - Can be installed in wide temperature conditions: -40°C to 55°C (77°F to 131°F)
 - NEMA-4X protection grade against liquids and windblown dust
 - High-efficacy LED emergency heads outperform traditional 50W incandescent lamps
 - Innovative head design: four-LED and dual-driver provide illumination even in case of unexpected component failure
 - Simple and easy to install on walls, poles, columns or struts. For vertical installation on poles or columns, use mounting bracket catalogue number: PMK1-E (sold separately)
 - Meets or exceeds CSA C22.2 No. 141-15
 - 5 Year limited warranty
- Click [here](#) to see full warranty details.



EHPR SPECIFICATIONS

Lighting Fixtures

- Consists of either single or double lamp configurations.
- Fully adjustable without tools, be NEMA-4X rated and be cUL listed to CSA C22.2 No.141-15.

Enclosures

- Made of grey Die-Cast aluminum, be designed for heavy duty industrial applications with temperatures ranging from -40°C to 55°C [-40°F to 131°F].

Lighting Heads

- Die-Cast and have a flat square lens made of UV stabilized clear polycarbonate.
- Head shall include four (4) high efficacy LED and two independent drivers.

EHPR DIMENSIONS



EASY INSTALLATION

Mounts easily on walls, struts, poles, columns, and in a vertical position

- Standard mounting brackets included; optional pole mount bracket (PMK1-E) accommodates any square or round post or column.

Supports battery unit weight on pole mount bracket

- The battery unit slides into the pole mount bracket so that it stays in position and the weight of the unit is supported during installation.

Uses the same brackets for battery units and remotes

- No need to mark which unit goes where for the bracket installers; both units fit the same brackets.

Holds door position with grip hinge

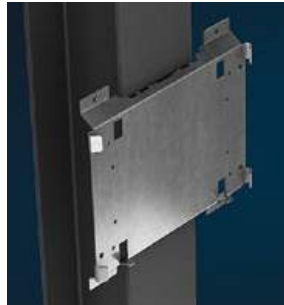
- The battery unit access door will hold its position at any angle for easier, handsfree wiring.

Closes and locks door with captive screws

- Captive screws close and lock the battery unit door for a perfect NEMA-4X seal.

Allows wiring from the top or side

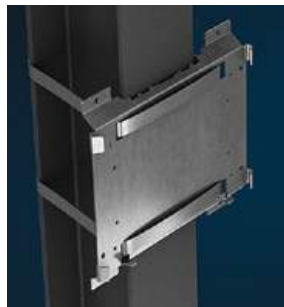
- Both the battery unit and remotes feature side wings for different mounting surfaces and feature top and side conduits. All connections are done inside the unit or remote.



STEP 1:
Put mounting bracket in place.



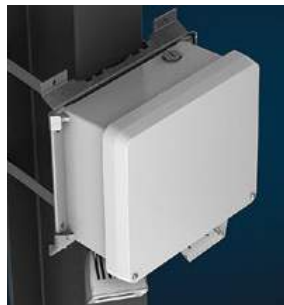
STEP 2:
Insert straps into holes.



STEP 3:
Tighten up.



STEP 4:
Insert unit into installed mounting bracket and...



STEP 5:
...slide down.



STEP 6:
Screw unit on mounting bracket. (Hardware supplied)



STEP 7:
Unscrew access door screws.



STEP 8:
Lift up cover. It stays in place due to the grip system hinge.

CLICK HERE FOR A [VIDEO](#) ON THE EHP & EHPR SERIES



WHAT'S IN STOCK?

EHP & EHPR Series available at E.B. Horsman & Son

Item No.

EHP12752L10

| SERIES | UNIT CAPACITY | # OF HEADS | LED LAMP TYPE |
|--------------------------|---------------|------------|---------------|
| High performance battery | 12V - 75W | 2 | 12V, 24V-10W |

PHOTOMETRY PERFORMANCE

| LED LAMP | POWER (W) | TOTAL LUMENS | OUTPERFORMS THE INCANDESCENT |
|----------|-----------|--------------|------------------------------|
| L10 | 10W | 1030 | 50W PAR36, MR16 Halogen |

PLACEMENT

| MOUNTING HEIGHT | SPACING CENTER-TO-CENTER |
|-----------------|--------------------------|
| 10 ft. | 110 ft. |

POWER CONSUMPTION AND UNIT RATING

| AC SPECS | | | WATTAGE CAPACITY | | | | |
|----------|--------|--------|------------------|------|------|-------|-------|
| 120VAC | 277VAC | 347VAC | 30 MIN | 1H00 | 1H30 | 2H00* | 4H00* |
| 0.20A | 0.10A | 0.07A | 75 | 40 | 30 | 24* | 15* |

*Note: The cold-weather option is only rated for maximum 90 minutes

Item No.

EHPR2L10W

| SERIES | # OF HEADS | LED LAMP TYPE |
|-------------------------|------------|----------------|
| High performance remote | 2 | 12V, 24V - 15W |

PHOTOMETRY PERFORMANCE

| LED LAMP | POWER (W) | TOTAL LUMENS | OUTPERFORMS THE INCANDESCENT |
|----------|-----------|--------------|------------------------------|
| L10 | 10W | 1030 | 50W PAR36, MR16 Halogen |

PLACEMENT

| MOUNTING HEIGHT | SPACING CENTER-TO-CENTER |
|-----------------|--------------------------|
| 10 ft. | 110 ft. |

POWER CONSUMPTION AND UNIT RATING

| AC SPECS | | | WATTAGE CAPACITY | | | | |
|----------|--------|--------|------------------|------|------|-------|-------|
| 120VAC | 277VAC | 347VAC | 30 MIN | 1H00 | 1H30 | 2H00* | 4H00* |
| 0.20A | 0.10A | 0.07A | 75 | 40 | 30 | 24* | 15* |

*Note: The cold-weather option is only rated for maximum 90 minutes