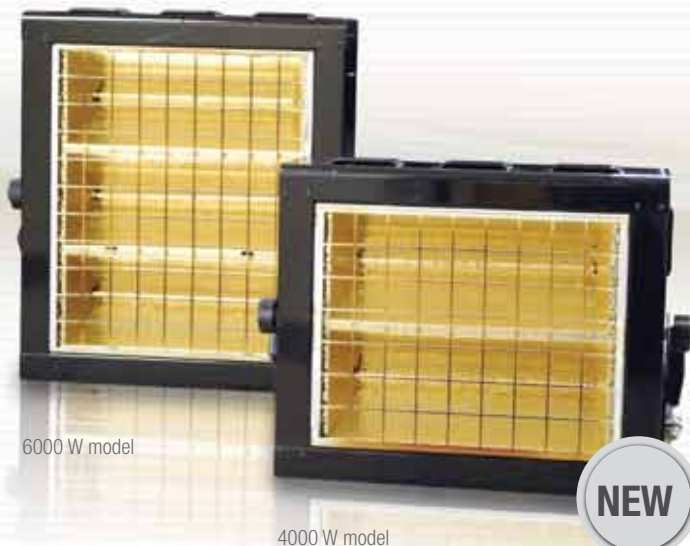


SIRH infrared radiator

Heating
 Ventilation
 Electronics



- Instant heat sensation**
heats everything placed in its radiation area in less than half a second when operating
- Simple and fast installation**
thanks to its support (included)
- Requires minimum maintenance**
- Weather-resistant models available**

Be your own mother nature!

You wish you could **extend the summer season**? Well, it is now possible thanks to our powerful infrared radiator that will keep your customers and employees warm longer, whether they are **chatting on a patio, waiting in queue, standing in a smoking area, relaxing in a spa, etc.** This unit produces instant heat that will surely please them. It is also very efficient in **garages, factories and large commercial areas** that don't need to be entirely heated, and require heating at specific areas only.

Features

color: black **finish:** polyester powdercoat **manufacturing:** 14-gauge aluminum structure **wattage & voltage:** see the selection table **light:** quartz and tungsten light (filament: tungsten, tube: quartz) **control:** electronic dimmer with timer not included (SIRHC402; 4000 W at 240 V max) or independant switch **installation:** wall and floor mounting or on a post (distances and heights indicated in the installation manual must be respected) **warranty:** 1 year

Accessories

code	description	price
KIT-ESIRH151	Infrared replacement element 1500W 120V	61.00
KIT-ESIRH202	Infrared replacement element 2000W 240V	61.00
KIT-SIRH001	Replacement kit SIRH primary reflector	61.00
KIT-SIRH002	Replacement kit SIRH secondary reflector	61.00
SIRHC402	electronic dimmer with timer	124.00

Prices indicated in this catalog are valid 90 days starting from March 1, 2011. For all the updated prices, please refer to the Web site.



SIRHC402



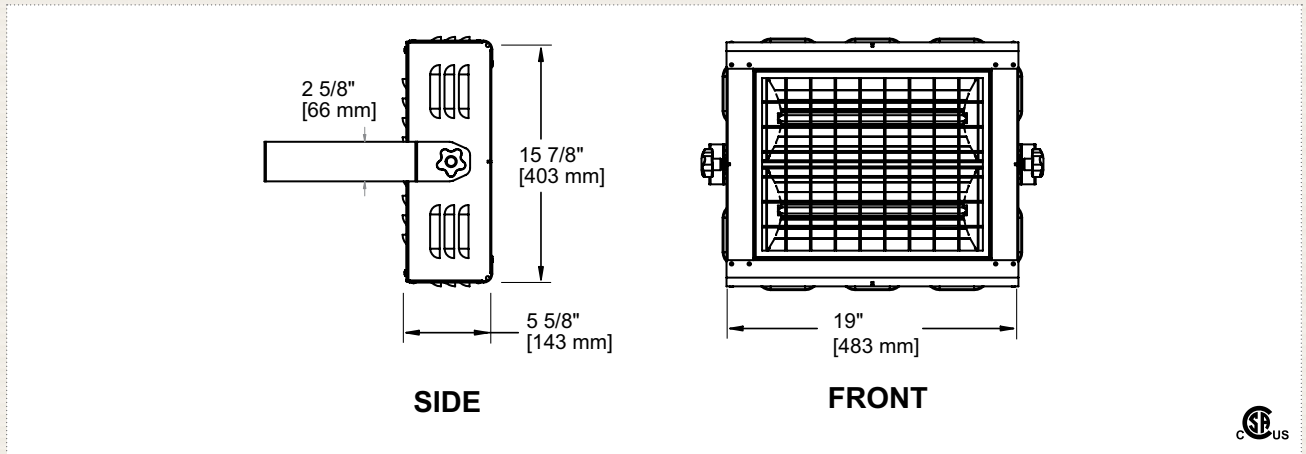
Selection table

product		weather-resistant		power		voltage		frequency		width		height		depth		weight	
code	price	code	price	watts	volts	Hz	in.	mm	in.	mm	in.	mm	in.	mm	lb	kg	
SIRH4002W	600.00	SIRH4002WR	674.00	4000	240	60	19	483	15 7/8	403	5 5/8	143	13.8	6.25			
SIRH4203W	732.00	SIRH4203WR	806.00	4180	347	60	19	483	21 13/16	554	5 5/8	143	16.3	7.4			
SIRH6002W	780.00	SIRH6002WR	854.00	6000	240	60	19	483	21 13/16	554	5 5/8	143	16.3	7.4			

Prices indicated in this catalog are valid 90 days starting from March 1, 2011. For all the updated prices, please refer to the Web site.

Technical drawings

4000 W model



4200 W and 6000 W models

