



E.B. Horsman & Son

The Electrical Distributor of Choice!

*proud distributor
of*



Hammond Power
Solutions Inc.

Visit our

You Tube Channel

www.youtube.com/user/ebhorsman

Shop Online



ebhorsman.com

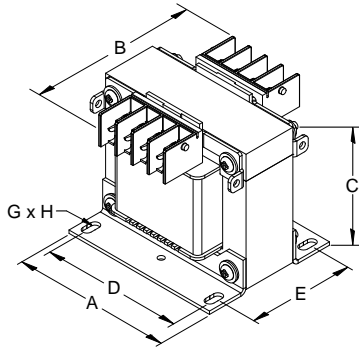


FIGURE A

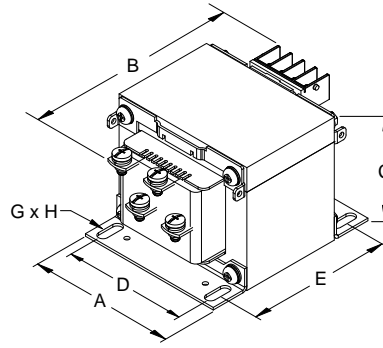


FIGURE B

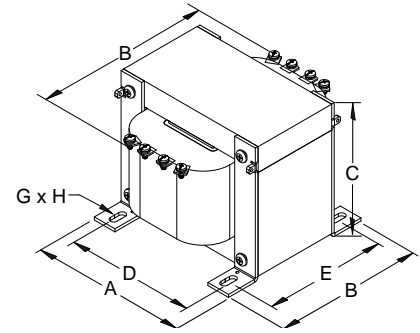


FIGURE C

Group A

Primary Voltage: 600/480 || 575/460 || 550/440
Secondary Voltage: 120 X 240 || 115 X 230 || 110 X 220



VA Rating	CE VA Rating	Catalog Number	Mtg. Fig.	Output Amps	Overall Dimensions			Mounting Centers		Mounting Slot G X H	Height with Finger Guard	Height with Fuse Block Adapter	Approx. Ship Weight Lbs.
					A	B	C	D	E				
50	50	SP50ACP	A	0.42/0.21	2.60	3.82	2.60	2.13	2.64	0.22 x 0.44	2.98	2.79	2.2
100	100	SP100ACP	A	0.83/0.42	2.99	3.74	2.85	2.52	2.60	0.22 x 0.44	3.23	3.04	3.3
150	150	SP150ACP	A	1.25/0.63	2.99	4.29	2.85	2.52	3.15	0.22 x 0.44	3.23	3.04	4.4
250	160	SP250ACP	A	2.08/1.04	3.78	4.09	3.40	3.31	2.99	0.22 x 0.44	3.78	3.59	6.4
350	250	SP350ACP	A	2.92/1.46	3.78	4.49	3.40	3.31	3.39	0.22 x 0.44	3.78	3.59	7.5
500	300	SP500ACP	A	4.17/2.08	4.49	4.69	3.78	3.78	3.66	0.31 x 0.81	4.16	3.97	11
750	500	SP750ACP	A	6.25/3.13	5.25	5.08 ¹	4.37	4.50	4.06	0.31 x 0.81	4.75	4.56	18
1000	650	SP1000ACP	A	8.33/4.17	5.25	5.47 ¹	4.37	4.50	4.45	0.31 x 0.81	4.75	4.56	21
1500	1000	SP1500ACP	A	12.5/6.25	5.25	6.85 ¹	4.37	4.50	5.83	0.31 x 0.81	4.56	4.37	28
2000	1300	SP2000ACP	A	16.7/8.33	6.38	5.87 ¹	5.31	5.75	4.84	0.31 x 0.81	5.69	5.50	34
3000	2000	SP3000ACP	A	25.0/12.5	7.50	7.50	6.50	6.30	6.85	0.44 x 1.00	6.50	6.50	60
5000	3000	SP5000ACP	C	41.7/20.8	8.98	9.88	7.76	7.40	7.13	0.44 x 1.00	N/A	N/A	93

Primary and Secondary voltage links/jumpers supplied standard with all transformers.
 Refer to page 73 for wiring schematic drawing. Custom voltages and VA sizes available upon request.
¹ Note: For 750 through 2000 VA units actual overall depth is 0.24" plus the value in column B.

All dimensions in inches

Group B

Primary Voltage: 600 || 575 || 550
Secondary Voltage: 12 X 24 || 11.5 X 23 || 11 X 22



VA Rating	CE VA Rating	Catalog Number	Mtg. Fig.	Output Amps	Overall Dimensions			Mounting Centers		Mounting Slot G X H	Height with Finger Guard	Height with Fuse Block Adapter	Approx. Ship Weight Lbs.
					A	B	C	D	E				
50	50	SP50AR	A	4.17/2.08	2.60	3.23	2.60	2.13	2.05	0.22 x 0.44	2.98	2.79	1.5
100	100	SP100AR	A	8.33/4.17	2.99	3.74	2.85	2.52	2.60	0.22 x 0.44	3.23	3.04	3.3
150	150	SP150AR	A	12.5/6.25	2.99	4.09	2.85	2.52	2.95	0.22 x 0.44	3.23	3.04	3.9
250	160	SP250AR	A	20.8/10.4	3.78	3.70	3.40	3.31	2.60	0.22 x 0.44	3.78	3.59	5.2
350	250	SP350AR	A	29.2/14.6	3.78	4.29	3.40	3.31	3.19	0.22 x 0.44	3.78	3.59	7.1
500	300	SP500AR	B	41.7/20.8	4.49	5.08	3.78	3.78	3.27	0.31 x 0.81	4.16	3.97	9.9

Primary and Secondary voltage links/jumpers supplied standard with all transformers.
 Refer to page 73 for wiring schematic drawing. Custom voltages and VA sizes available upon request.

All dimensions in inches

Lower Mainland Locations

Burnaby
3935 2nd Avenue
Burnaby, BC V5C 3W9
Tel: 604-292-4800

Langley
#101 - 20550 Duncan Way
Langley, BC V3A 7A3
Tel: 604-533-1275

Richmond
12360 Vickers Way
Richmond, BC V6V 1H9
Tel: 604-273-1981

Surrey
13055 80th Avenue
Surrey, BC V3W 3B1
Tel: 604-596-7111

Island Locations

Campbell River
1030 B - 9th Avenue
Campbell River, BC V9W 4C2
Tel: 250-287-9265

Courtenay
2615 Moray Place
Courtenay, BC V9N 8A9
Tel: 250-334-0338

Duncan
5286 Polkey Road
Duncan, BC V9L 6W3
Tel: 250-748-3377

Parksville
#105 - 425 E. Stanford Avenue
Parksville, BC V9P 2N4
Tel: 250-954-1797

Interior Locations

Cranbrook
Unit A #800 Industrial Road. #2
Cranbrook, BC V1C 4C9
Tel: 250-489-4591

Kamloops
B-983 Camosun Crescent
Kamloops, BC V2C 6G1
Tel: 250-374-3191

Penticton
401 Okanagan Avenue
Penticton, BC V2A 3K1
Tel: 250-492-4032

Vernon
5203 24th Street
Vernon, BC V1T 8X7
Tel: 250-545-2191

Williams Lake
527 S. MacKenzie Avenue
Williams Lake, BC V2G 1C8
Tel: 250-392-7795

Alberta Locations

Unit 9, 7223 68 Avenue,
Edmonton, Alberta T6B 3T6

Northern Locations

Dawson Creek
1101 97th Avenue
Dawson Creek, BC V1G 1N5
Tel: 250-782-4896

Fort Nelson
PO Box 3266 - 5016 48th Avenue
Fort Nelson, BC VOC 1R0
Tel: 250-233-8570

Kitimat
622 Commercial Avenue
Kitimat, BC V8C 2C5
Tel: 250-632-3774

Prince George
2255 S. Quinn Street
Prince George, BC V2N 2X4
Tel: 250-563-0575

Terrace
5000 Pohle Avenue
Terrace, BC V8G 4S8
Tel: 250-635-6379

Specialty Divisions

Process, Automation &
Controls Group
Tel: 778-545-9916

Projects Group
Tel: 604-596-7111

Data Communications Group
Tel: 778-545-9916

Lighting Specialist
Tel: 778-545-9916



Head Office
19295 25th Avenue
Surrey, BC V3Z 3X1
Tel: 778-545-9916
Fax: 778-545-3099
Toll Free: 1-888-467-7626

Visit our

You Tube Channel

www.youtube.com/user/ebhorsman

Shop Online



ebhorsman.com