

## Opt-X® SDX Wall-Mount Enclosures Small, Medium, and Large

### APPLICATION

SDX Wall-Mount Enclosures are ideal for fiber applications requiring patching, cross-connect, and/or splicing of single-mode or multimode fibers while utilizing a minimum of space.



### SPECIFICATION

The enclosure shall mount on a wall in an 8"x13", 12"x14", or 17"x15" footprint. Adapters shall be mounted in metal mounting plates and attached to the enclosure using plastic plungers. There shall be cable entrance ports in the top and bottom of the patch panel on both the distribution and patch sides. Cable entrance ports are designed with a strain-relief post with a slot capable of holding a tie wrap. The enclosure shall provide strain relief in the form of a grounding lug and multiple tie wrap points. The enclosure shall have a plastic fiber management ring made of high impact UL 94V-0 rated fire-retardant plastic. This ring shall be stackable and adjustable. A port identification label/ card shall be provided. The enclosure shall be made of 16-gauge steel powder-coated black.

### FEATURES

- Self-healing grommet material at all cable entry and exit points
- Stackable and adjustable fiber management rings included
- Large enclosure includes eight plastic blank adapter plates to inexpensively fill up any unused areas — an economical and attractive way to leave room for expanding the enclosure

### DESIGN CONSIDERATIONS

- Enclosures are sold empty; order loaded SDX adapter plates separately
- Specify the type of adapter plates to be installed in enclosure
- Specify if splicing is to be used, and if so, what type
- Recommend that enclosures be arranged to allow future growth
- Designation stickers allow identification of port assignments
- Enclosures are capable of storing up to three meters of 900 micron tight-buffered fiber per adapter
- Door options: solid or split-hinged metal
- Specify if a lock is required on the distribution side, patch side, or both
- Includes hardware kit with hook and loop ties, screws, a caution label, and cable ties

### STANDARDS COMPLIANCE

Meets all applicable standards: UL Listed; meets or exceeds all ANSI/TIA-568-C requirements

### PHYSICAL SPECIFICATIONS

Dimensions:

- See page two

Materials

- Enclosures: 16-gauge steel, powder-coated black, white logo
- Fiber Management Rings: Self-extinguishing plastic rated UL 94V-0
- Grommet material: Ensolite™

Enclosures accept all SDX adapter plates. See chart for number of fibers in various configurations.

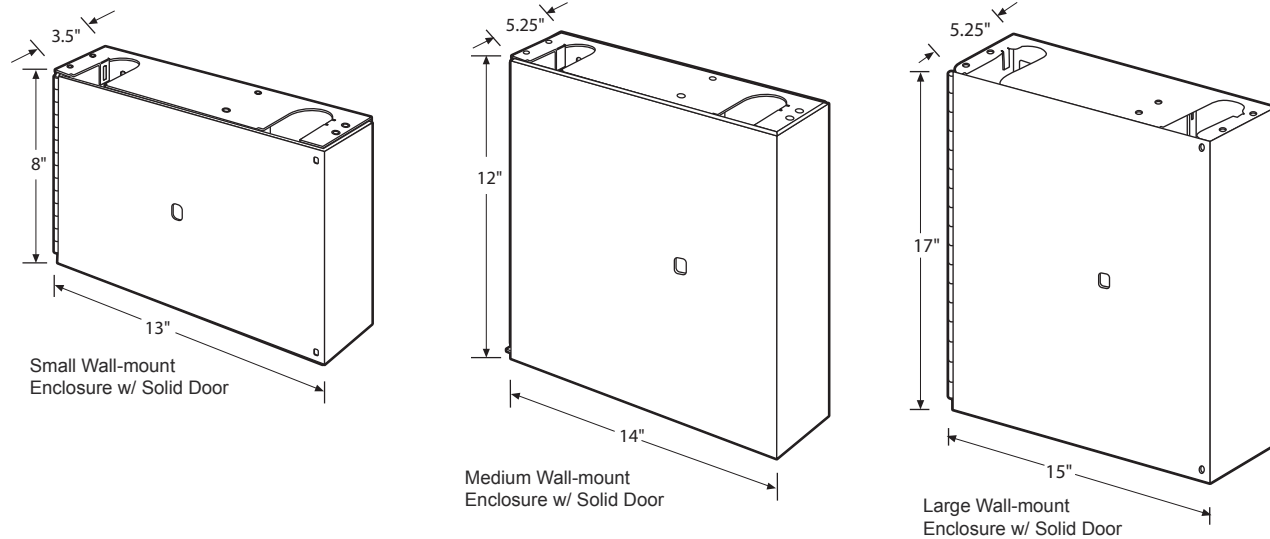
### WARRANTY INFORMATION

For a copy of Leviton product warranties, visit [www.leviton.com/warranty.X](http://www.leviton.com/warranty.X)

FIBER DENSITY CHART — SDX WALL-MOUNT ENCLOSURES						
	6-pack ST	8-pack ST	3-pack Duplex SC	6-pack Duplex SC	6-pack Duplex LC	6-pack Quad LC
<b>Small</b> Holds up to 2 SDX adapter plates	Up to 12 fibers	Up to 16 fibers	Up to 12 fibers	Up to 24 fibers	Up to 24 fibers	Up to 48 fibers
<b>Medium</b> Holds up to 4 SDX adapter plates	Up to 24 fibers	Up to 32 fibers	Up to 24 fibers	Up to 48 fibers	Up to 48 fibers	Up to 96 fibers
<b>Large</b> Holds up to 12 SDX adapter plates	Up to 72 fibers	Up to 96 fibers	Up to 72 fibers	Up to 144 fibers	Up to 144 fibers	Up to 288 fibers

**ELECTRONIC FILES**

For CAD files, typical specs, or technical drawings (.DXF, .DWG), visit [www.leviton.com](http://www.leviton.com).



**5Wxxx-00N**

Splice Tray Capacity Chart	Heat Shrink (Plastic Holders)	Heat Shrink (Foam Holders)	Bare Fusion	Small	Medium	Large
<b>Metal Splice Tray (0.25" Height)</b>						
12-Fiber Mini, 4" x 7"	T47HS-P06		T47BF-P06	0	6	6
12-Fiber Mini, w/ standoff, 4" x 7"	5T000-00T			0	3	3
12-Fiber Standard, 4" x 11.75"	T4LHS-P06	T4LHS-F06	T4LBF-P06	0	0	6
24-Fiber High-density, 4" x 11.75"	T4LHS-P12	T4LHS-F12	T4LBF-P12	0	0	6
12-Fiber Standard, 5" x 11.75"	T5LHS-P06	T5LHS-F06	T5LBF-P06	0	0	6
24-Fiber High-density, 5" x 11.75"	T5LHS-F12	T5LHS-F12	T5LBF-P12	0	0	6
<b>Injection Molded Splice Tray (Mini - 0.39" Height, High-Density - 0.43" Height)</b>						
12-Fiber Mini, 3.74" x 5.59"	T5PLS-12F			0	6	6
24-Fiber High-density, 4.5" x 7.63"	T5PLS-24F			0	6	6

Splice tray mounting hardware not included except on 5T000-00T.

**OPT-X SDX WALL-MOUNT ENCLOSURES**

Description	Part No.
Small, empty with solid metal door, no lock	5W110-00N
Small, empty with split metal door, with one lock/key	5W120-00N
Small, empty with solid metal door, with one lock/key	5W170-00N
Medium, empty with solid metal door, no lock	5W310-00N
Medium, empty with split metal door, with one lock/key	5W320-00N
Medium, empty with solid metal door, with one lock/key	5W370-00N
Large, empty with solid metal door, no lock	5W710-00N
Large, empty with split metal door, with one lock/key	5W720-00N
Large, empty with solid metal door, with one lock/key	5W770-00N

**ACCESSORIES**

Description	Part No.
Lock and key	5L000-L0K
Additional fiber rings (package of 2)	5R100-0FR
Splice tray mounting hardware kit	SPLMT-HKT



**Leviton Network Solutions**  
2222 - 222nd St. SE  
Bothell, WA 98021-4416

**Asia / Pacific**  
T +1.631.812.6228  
E [infoasean@leviton.com](mailto:infoasean@leviton.com)

**Canada**  
T +1.514.954.1840  
E [pcservice@leviton.com](mailto:pcservice@leviton.com)

**Caribbean**  
T +1.954.593.1896  
E [infocaribbean@leviton.com](mailto:infocaribbean@leviton.com)

**China**  
T +852.2774.9876  
E [infochina@leviton.com](mailto:infochina@leviton.com)

**Colombia**  
T +57.1.743.6045  
E [infocolombia@leviton.com](mailto:infocolombia@leviton.com)

tel 1-800-824-3005  
tel +1-425-486-2222  
[appeng@leviton.com](mailto:appeng@leviton.com)  
[www.leviton.com](http://www.leviton.com)

**Europe**  
T +33.6.8869.1380  
E [infoeurope@leviton.com](mailto:infoeurope@leviton.com)

**India / SAARC**  
T +971.4.886.4722  
E [infoindia@leviton.com](mailto:infoindia@leviton.com)

**Mexico**  
T +52.55.5082.1040  
E [lsamarketing@leviton.com](mailto:lsamarketing@leviton.com)

**Middle East & Africa**  
T +971.4.886.4722  
E [imeinfo@leviton.com](mailto:imeinfo@leviton.com)

**South Korea**  
T +82.2.3273.9963  
E [infokorea@leviton.com](mailto:infokorea@leviton.com)